

**A LETTER OF ACKNOWLEDGEMENT**  
**No. 7495/Dn.40002/06/23**

Herewith, the undersigned, the managing editor of *Journal of Economics, Business, and Accountancy (JEBAV) Ventura*:

Name : Dr. Lutfi, M. Fin  
NIP : 36960164

Acknowledges that

No	Title of the Article	Name of the Author
1	Work-Life Balance, Job Satisfaction, and Career Development of Millennials: The Mediating Role of Affective Commitment. (1912. 3365)	<b>Name:</b> Tyna Yunita*, Hadita Hadita, Murti Wijayanti, Vivi Ismayani  <b>Email:</b> tyna.yunita@gmail.com  <b>Institution:</b> Fakultas Ekonomi dan Bisnis, Universitas Bhayangkara Jakarta Raya, Indonesia

Has been received by the editors and it will be published in the *Journal of Economics, Business, and Accountancy (JEBAV) Ventura*, **Volume 26, No. 1 periode April – July 2023.**

We hope this letter of acknowledgment can be of use.

Surabaya, June 16<sup>th</sup> 2023



**Dr. Lutfi, M. Fin**  
Editor in Chief

/0490  
P:\PPPM\Magang.PPPM\Surat Keluar



DOAJ DIRECTORY OF OPEN ACCESS JOURNALS

Accreditation No. 51/E/KPT/2017

<http://journal.perbanas.ac.id/index.php/jebav>

[HOME](#)

[ABOUT](#)

[USER HOME](#)

[SEARCH](#)

[CURRENT](#)

[ARCHIVES](#)

[ANNOUNCEMENTS](#)

[SITE MAP](#)

[CONTACT](#)

[ONLINE SUBMISSIONS](#)



Sertifikat SINTA 2

TEMPLATE



ISSN

ISSN: 2087-3735 (Cetak)



9 772087 373001

ISSN: 2088-785X (Online)



9 772088 785001

## #3364 Review

[SUMMARY](#)

[REVIEW](#)

[EDITING](#)

### Submission

Authors	Tyna Yunita
Title	Work-Life Balance Perspective: How Millenials Prepare for Career Development
Section	Articles
Editor	None assigned

### Peer Review

#### Round 1

Review Version	3364-11105-1-RV.PDF	2022-10-27
Initiated	—	
Last modified	—	
Uploaded file	None	

### Editor Decision

Decision	—
Notify Editor	Editor/Author Email Record  No Comments
Editor Version	None
Author Version	None
Upload Author Version	<input type="button" value="Browse..."/> No file selected. <input type="button" value="Upload"/>

[Ethics Statement](#)

[Editorial Team](#)

[Reviewer Acknowledgment](#)

[Focus and Scope](#)

[Publishing System](#)

[Author Guidelines](#)

[Abstracting & Indexing](#)

[Visitor Statistics](#)

[Peer Review Process](#)

#### USER

You are logged in as...  
**tynayunita**

- [▶ My Journals](#)
- [▶ My Profile](#)
- [▶ Log Out](#)

#### AUTHOR

Submissions

▶ Active (0)

**A LETTER OF AKNOWLEDGEMENT**  
**No. 7495/Dn.40002/06/23**

Herewith, the undersigned, the managing editor of *Journal of Economics, Business, and Accountancy (JEBAV) Ventura*:

Name : Dr. Lutfi, M. Fin  
NIP : 36960164

Acknowledges that

No	Title of the Article	Name of the Author
1	Work-Life Balance, Job Satisfaction, and Career Development of Millennials: The Mediating Role of Affective Commitment. (1912. 3365)	<b>Name:</b> Tyna Yunita*, Hadita Hadita, Murti Wijayanti, Vivi Ismayani  <b>Email:</b> tyna.yunita@gmail.com  <b>Institution:</b> Fakultas Ekonomi dan Bisnis, Universitas Bhayangkara Jakarta Raya, Indonesia

Has been received by the editors and it will be published in the *Journal of Economics, Business, and Accountancy (JEBAV) Ventura*, **Volume 26, No. 1 periode April – July 2023.**

We hope this letter of acknowledgment can be of use.

Surabaya, June 16<sup>th</sup> 2023



**Dr. Lutfi, M. Fin**  
Editor in Chief

/0490  
P:\PPPM\Magang.PPPM\Surat Keluar



DOAJ DIRECTORY OF OPEN ACCESS JOURNALS

Accreditation No. 51/E/KPT/2017

<http://journal.perbanas.ac.id/index.php/jebav>

HOME

ABOUT

USER HOME

SEARCH

CURRENT

ARCHIVES

ANNOUNCEMENTS

SITE MAP

CONTACT

ONLINE SUBMISSIONS



Sertifikat SINTA 2

TEMPLATE



ISSN

ISSN: 2087-3735 (Cetak)



9 772087 373001

ISSN: 2088-785X (Online)



9 772088 785001

## #3364 Review

SUMMARY

REVIEW

EDITING

### Submission

Authors	Tyna Yunita
Title	Work-Life Balance Perspective: How Millenials Prepare for Career Development
Section	Articles
Editor	None assigned

### Peer Review

#### Round 1

Review Version	3364-11105-1-RV.PDF	2022-10-27
Initiated	—	
Last modified	—	
Uploaded file	None	

### Editor Decision

Decision	—
Notify Editor	Editor/Author Email Record  No Comments
Editor Version	None
Author Version	None
Upload Author Version	<input type="button" value="Browse..."/> No file selected. <input type="button" value="Upload"/>

Ethics Statement

Editorial Team

Reviewer Acknowledgment

Focus and Scope

Publishing System

Author Guidelines

Abstracting & Indexing

Visitor Statistics

Peer Review Process

USER

You are logged in as...  
**tynayunita**

- [▶ My Journals](#)
- [▶ My Profile](#)
- [▶ Log Out](#)

AUTHOR

Submissions

▶ Active (0)



Accreditation No. 51/E/KPT/2017

<http://journal.perbanas.ac.id/index.php/jebav>

- HOME
- ABOUT
- LOGIN
- REGISTER
- SEARCH
- CURRENT
- ARCHIVES
- ANNOUNCEMENTS
- SITE MAP
- CONTACT
- ONLINE SUBMISSIONS



Sertifikat SINTA 2

### TEMPLATE



Article Template

### ISSN

ISSN: 2087-3735 (Cetak)



9 772087 373001

ISSN: 2088-785X (Online)



9 772088 785001

### PLAGIARISM



## Editorial Team

### Editor in Chief

**Abu Amar Fauzi**, ID Scopus 57204196315, Universitas Hayam Wuruk Perbanas, Surabaya, Indonesia

### Associate (handling) Editor

**Hadrian Geri Djajadikerta**, Scopus ID 34871723100, Edith Cowan University, Joondalup, Perth, Australia  
**Sholikha Oktavi Khalifaturofi'ah**, Universitas Hayam Wuruk Perbanas, Surabaya, Indonesia

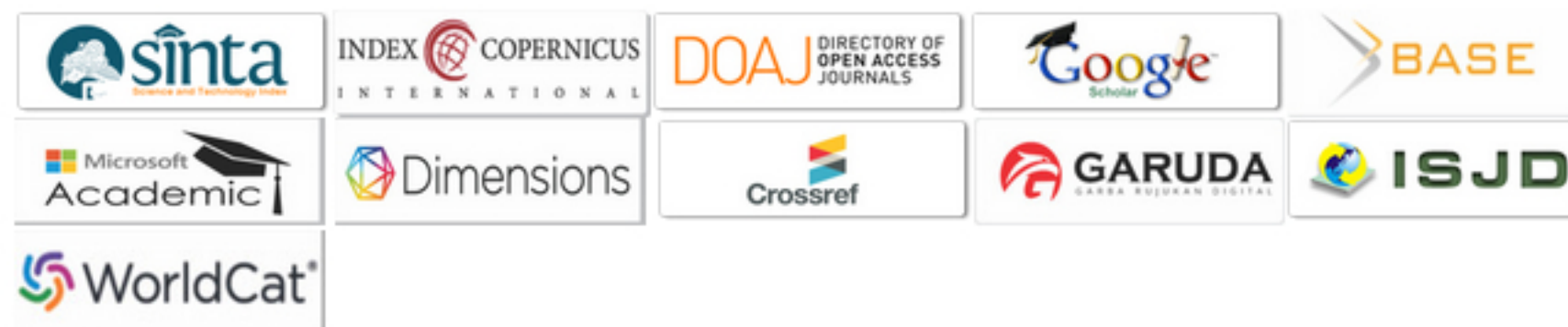
### International Editorial Board

**Abdul Mongid**, ID Scopus 55496014900, Universitas Hayam Wuruk Perbanas, Surabaya, Indonesia  
**Amine Tarazi**, ID Scopus 55902430300, Univeristy of Limoges, France  
**Ishaq Bhatti**, ID Scopus 7103035357, La Trobe University, Australia  
**Long Thang Van Nguyen**, ID Scopus 57016082800, RMIT University, Vietnam  
**Luciana Spica Almlia**, ID Scopus 50161033700, Universitas Hayam Wuruk Perbanas, Surabaya, Indonesia  
**Tatik Suryani**, ID Scopus 57204196039, Universitas Hayam Wuruk Perbanas, Surabaya, Indonesia

### Management & Publishing Team

**Tri Suhartuti**, Universitas Hayam Wuruk Perbanas, Surabaya, Indonesia  
**Yunita Setya Tiar**, Universitas Hayam Wuruk Perbanas, Surabaya, Indonesia  
**Risky Andriawan**, Universitas Hayam Wuruk Perbanas, Surabaya, Indonesia  
**Iri Suhartuti**, Universitas Hayam Wuruk Perbanas, Surabaya, Indonesia  
**Yunita Setya Tiar**, Universitas Hayam Wuruk Perbanas, Surabaya, Indonesia  
**Risky Andriawan**, Universitas Hayam Wuruk Perbanas, Surabaya, Indonesia

### Abstracting & Indexing



- Ethics Statement
- Editorial Team
- Reviewer Acknowledgment
- Focus and Scope
- Publishing System
- Author Guidelines
- Abstracting & Indexing
- Visitor Statistics
- Peer Review Process

### USER

Username

Password

Remember me

### INFORMATION

- ▶ For Readers
- ▶ For Authors
- ▶ For Librarians

### JOURNAL CONTENT

Search

**Journal of Economics, Business, & Accountancy Ventura**

Journal of Economics, Business, & Accountancy, Ventura (JEBAV) has its mission of being one of the leading journals in Economics, Business and Accountancy. JEBAV is a double blind peer-reviewed international journal with international members of editorial boards. The Journal has been published since 1999 with its ISSN, and in 2017, it was accredited by the Directorate of Higher Education (Dikti), Jakarta, with its accreditation No: 51/E/KPT/2017. It has got its re-accreditation by ARJUNA via Menristekdikti in December 2017. It was formerly issued twice a year and since 2009 it has been issued quarterly, in (April-July), (August-November), and (December-March). This journal is published by The Research and Community Services (PPPM) STIE Perbanas Surabaya, collaborating with the Indonesian Institute of Accountants - Educator Accountants Compartment (IAI-KAPd) and Indonesian Management Forum (FMI).

The article submitted to this online journal will be peer-reviewed. The accepted articles will be available online (free download) following the journal peer-reviewing process. Language used in this journal is English. Journal of Economics, Business, and Accountancy Ventura (JEBAV), with registered number ISSN: 2087-3735, ISSN (online): 2088-785X. This Journal has been indexed by **SINTA**, **Index Copernicus**, **DOAJ**, **Google Scholar**, **BASE**, **Microsoft Academic**, **Dimensions**, **Crossref Metadata** (all articles have DOI number), **GARUDA**, **ISJD**, **WorldCat**.



**Announcements**

**Announcements**

**Announcement**

Journal of Economics, Business, & Accountancy Ventura has no partnership with any scientific writing agency. Therefore, the prospective authors should not trust any scientific writing agency on any platform.

Posted: 2023-02-24

[More Announcements...](#)

**Vol 26, No 1 (2023): April - July 2023**

**Table of Contents**

**Articles**

<b>The Effect of Consumer Brand Engagement on Online Brand Experience and Its Consequences on Banking Apps Service</b> <i>Ria Octavia, Rahmawati Azizah, Shafitranata Shafitranata</i> <a href="#">doi&gt; 10.14414/jebav.v26i1.3461</a>	PDF 1-10
<b>Compensation, Perceptions of Organizational Culture, and Turnover Intention: Does Organizational Commitment Mediate the Relationship?</b> <i>Aditya Candra Laksmna, Heru Kristanto</i> <a href="#">doi&gt; 10.14414/jebav.v26i1.3478</a>	PDF 11-25
<b>The Effect of Halal Certification and Entrepreneurial Marketing on the Successful Small and Medium-sized Enterprises of Food Products</b> <i>Hibatul Hasanah, Ma'mun Sarma, Jono Mintarto Munandar</i> <a href="#">doi&gt; 10.14414/jebav.v26i1.3216</a>	PDF 26-36
<b>Factors Affecting Attitude towards Online Music Piracy and Willingness to Try Subscription-Based Music Services (SBMS)?</b> <i>Adhika Putra Wicaksono, Erna Andajani</i> <a href="#">doi&gt; 10.14414/jebav.v26i1.3680</a>	PDF 37-49
<b>The Proposed Research Framework of Organizational Agility</b> <i>Taufan Umbara, Astadi Pangarso, Retno Setyorini</i> <a href="#">doi&gt; 10.14414/jebav.v26i1.3539</a>	PDF 50-68
<b>The Structural and Macroeconomic Determinants of Manufacturing Export-Value Performance in ASEAN Countries</b> <i>Jonathan Andersen, Albert Hasudungan, Salvarina Viknesuari, David Tjje, Handoko Sukarno, Erica Novianti Lukas</i> <a href="#">doi&gt; 10.14414/jebav.v26i1.3716</a>	PDF 69-88
<b>Work-Life Balance, Job Satisfaction, and Career Development of Millennials: The Mediating Role of Affective Commitment</b> <i>Tyna Yunita, Hadita Hadita, Murti Wijayanti, Vivi Ismayani</i> <a href="#">doi&gt; 10.14414/jebav.v26i1.3365</a>	PDF 89-101
<b>The Effect of Polychronicity on Employee Engagement: Conditional Process of Job Satisfaction and Compensation</b> <i>Rian Andriani, Disman Disman</i> <a href="#">doi&gt; 10.14414/jebav.v26i1.3069</a>	PDF 102-114
<b>Do Adaptability and Innovation Speed Matter in Increasing Sales of MSMEs during the COVID-19 Pandemic?</b> <i>Rahmat Sabuhari, Marwan Man Soleman, Mukhtar A. Adam, Sulfi Abdul Haji</i> <a href="#">doi&gt; 10.14414/jebav.v26i1.2994</a>	PDF 115-128

**Abstracting & Indexing**



[Ethics Statement](#)

[Editorial Team](#)

[Reviewer Acknowledgment](#)

[Focus and Scope](#)

[Publishing System](#)

[Author Guidelines](#)

[Abstracting & Indexing](#)

[Visitor Statistics](#)

[Peer Review Process](#)

**USER**

Username   
 Password   
 Remember me

**INFORMATION**

- ▶ [For Readers](#)
- ▶ [For Authors](#)
- ▶ [For Librarians](#)

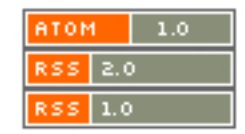
**JOURNAL CONTENT**

Search   
 Search Scope

**Browse**

- ▶ [By Issue](#)
- ▶ [By Author](#)
- ▶ [By Title](#)
- ▶ [Other Journals](#)

**CURRENT ISSUE**



[Journal Help](#)

**VISITORS**

StatCounter  
**00973528**  
[View Detail Stats](#)

**Visitors**

	147,481		4,900
	10,078		3,913
	7,098		3,849
	5,834		2,331
	5,322		2,321

**FLAG counter**



**TEMPLATE**



**ISSN**

ISSN: 2087-3735 (Cetak)



ISSN: 2088-785X (Online)



**PLAGIARISM**



**IN COLLABORATION**



**TOOLS**



**CITATION ANALYSIS**



**JEBAV PROFILE IN GOOGLE SCHOLAR**

- ▶ Citation: 1597
- ▶ H-index: 17
- ▶ I-10 : 36



# Work-Life Balance, Job Satisfaction, and Career Development of Millennials: The Mediating Role of Affective Commitment

Tyna Yunita\*, Hadita Hadita, Murti Wijayanti, Vivi Ismayani

Universitas Bhayangkara Jakarta Raya, Jakarta Selatan, DKI Jakarta, Indonesia

## ARTICLE INFO

### Article history:

Received: 15 April 2022

Revised: 8 May 2023

Accepted: 12 May 2023

### JEL Classification:

J24, M54

### DOI:

10.14414/jebav.v26i1.2994

### Keywords:

Work-life balance, Job satisfaction, Affective commitment, Career development, Millennials

## ABSTRACT

Since millennials dominate today's workforce, it is necessary to explore the career development of this generation. Therefore, this study aims to examine the career development of the millennial generation based on work-life balance and satisfaction factors mediated by affective commitment. This study involved 160 respondents, most of whom were female manufacturing workers. This study took a quantitative approach and used structural equation modeling to examine predictors of career development among millennials. We found that work-life balance and job satisfaction positively affect affective commitment and affective commitment positively affects career development. However, the results revealed no direct relationship between work-life balance and career development. The effect of work-life balance on career development is only significant if it is mediated by job satisfaction. A clear and targeted career path is very important for the continuity of millennial career development. This study suggests technology-based ways to engage millennials using digital tools to interact and share information, resulting in better work-life balance and higher productivity. This study implies that work-life balance is necessary for enhancing job satisfaction, emotional commitment, and career advancement.

## ABSTRAK

Mengingat generasi milenial mendominasi angkatan kerja saat ini, maka perlu untuk mengeksplorasi pengembangan karir generasi ini. Oleh karena itu, penelitian ini bertujuan untuk menguji pengembangan karir generasi milenial berdasarkan faktor keseimbangan kehidupan kerja dan kepuasan yang dimediasi oleh komitmen afektif. Penelitian ini melibatkan 160 responden yang sebagian besar merupakan pekerja manufaktur perempuan. Penelitian ini menggunakan pendekatan kuantitatif dan menggunakan pemodelan persamaan struktural untuk menguji prediktor pengembangan karir di kalangan generasi milenial. Kami menemukan bahwa keseimbangan kehidupan kerja dan kepuasan kerja berpengaruh positif terhadap komitmen afektif, dan komitmen afektif berpengaruh positif terhadap pengembangan karir. Namun, hasil penelitian menunjukkan tidak ada hubungan langsung antara keseimbangan kehidupan kerja dan pengembangan karir. Pengaruh keseimbangan kehidupan kerja terhadap pengembangan karir hanya signifikan jika dimediasi oleh kepuasan kerja. Jenjang karir yang jelas dan terarah sangat penting bagi kelangsungan pengembangan karir milenial. Penelitian ini menyarankan cara-cara berbasis teknologi untuk melibatkan generasi milenial dengan menggunakan alat digital untuk berinteraksi dan berbagi informasi, sehingga menghasilkan keseimbangan kehidupan kerja yang lebih baik dan produktivitas yang lebih tinggi. Studi ini menyiratkan bahwa keseimbangan kehidupan kerja diperlukan untuk meningkatkan kepuasan kerja, komitmen emosional, dan kemajuan karir.

## 1. INTRODUCTION

As demographics, the economy, culture, and technology evolve, worries about age dynamics in the workplace become a focus for management practice (Ryan & King, 2014). The millennial turnover rate is pretty

\*Corresponding author, email address: tyna.yunita@gmail.com

high, and it has been observed that they tend to leave their professions in less than two years (Mayangdarastri & Khusna, 2020). However, millennial turnover has become a problem for organizations and is a significant expense (Adkins, 2016; Holtschlag et al., 2020). Good career management can help millennials start a career that makes them feel at home and stay in the organization (Holtschlag et al., 2020). Millennials need to focus on career development to control their professional trajectories. As a result, understanding millennial characteristics and improving their career development are important topics for researchers and practitioners. Therefore, it is essential to identify millennials' primary determinants of career development to create effective strategies for worker performance.

Due to the global demographic shift, the composition of the labor force is changing rapidly, which affects generational shifts. Modern organizations rely on technological mechanisms, knowledge management, and best practices (Al Mansoori et al., 2021). Millennials enter the Industry 4.0 era, characterized by rapid economic growth and technological advancement. The millennial generation is technologically advanced with a high level of creativity in finding information quickly (Soedira et al., 2021). The millennial generation has the advantage of being technologically savvy, influencing their work.

In the past, researchers had identified four distinct generations: (a) the Traditionalists, also called the Veterans, were born before 1945; (b) the Baby Boomers were born between 1945 and 1964; (c) Generation X includes those born between 1964 and 1980; and (d) Generation Y, also called the Millennials, were born from 1980 to 2000 (Yarbrough et al., 2017). A generational cohort is a group of people with similar birth years due to their shared historical experiences. They likely have identical personalities, including attitudes, emotions, beliefs, values, and work and career preferences (Eger et al., 2021). Although there are differences in birth years in determining generational groupings, this study refers to people born between 1980 and 2000 as the Millennial Generation (Jha et al., 2019; Zhu & Cheung, 2017). In addition, more than half of the world's workforce will likely consist of millennials by 2025 (TeamStage, 2022). Businesses fiercely compete for the best available workers and talent to replace the retiring generation in the coming years.

Millennials have strong self-esteem, high aspirations, and a reluctance to give their all to anything they deem unimportant to their career (Jha et al., 2019; Schullery, 2013). Career research has traditionally focused on young adults (16 and older). Still, there has been a recent shift in focus from career choice to career development (which happens in both younger and older generations) (van Tuijl & van der Molen, 2016). Age necessitates a greater emphasis on career development, which may align with expanding family or personal commitments.

During the pandemic, a new kind of work environment emerged where employees could perform their duties from the comfort of their homes. Changes in work and non-work schedules during COVID-19 significantly impacted workers and businesses. This modern perspective on career development emphasizes the importance of adaptability and versatility in today's ever-evolving, never-certain workplace (Wong & Mohd Rasdi, 2019). Working without direct supervision and outside the office demands emotional commitment from employees (Fazal et al., 2022). At the same time, individuals with a solid affective commitment strongly believe in the organizational goals and values for which they are willing to work hard (Montani et al., 2017).

Employees' careers comprise their decisions and experiences as they progress through life, contributing to their ongoing quest for meaning and fulfillment in the workplace. Millennial employees are more concerned with career development through work-life balance and self-actualization (Purwatiningsih & Sawitri, 2021). Employees and their firms must continuously enhance their skills and abilities to remain competitive (Barhate & Dirani, 2022). The ideal job for millennials fits their personalities because when the millennial generation enjoys their work, it can provide a sense of fulfillment both at and outside of work.

Millennials expect companies and organizations to offer compensation commensurate with the workload, professional development, and a positive work environment (Muliawati & Frianto, 2020). Employee job satisfaction demonstrates a motivated and dedicated workforce committed to producing high-quality work for the organization.

This study aims to collect information and examine the effect of employee work-life balance and job satisfaction on millennials' affective commitment to career development. Although several previous investigations have examined Generation Y, such as career identities (Boyle, 2021), career mobility (Lyons et al., 2015), career expectations (Kong et al., 2015), and career choice (Ng & Gossett, 2013), there is scant research on how millennials develop careers while maintaining a work-life balance. Finally, this research has broadened the concept of career construction theory (Chang et al., 2016; Leung, 2022), which millennials can apply.



Millennials must simultaneously and successfully manage their career development in increasingly unpredictable and fast-shifting social, technological, and economic situations.

## 2. THEORETICAL FRAMEWORK AND HYPOTHESES

The following section discusses theoretical studies and prior research that influenced the development of the hypotheses for this study.

### **Career Development**

One description of career development is “the never-ending life race in which a person is continually engaged in the quest of self-improvement, the learning of new skills, and the acceptance of new challenges” (Knezović & Greda, 2021). Career development refers to how an individual’s career-related curiosities, knowledge, interests, aspirations, and expectations change over time in response to various environmental factors (van Tuijl & van der Molen, 2016). Career development aims to help an organization or business become a formidable competitor in the future. The potential for professional growth is critical in determining whether or not an employee will remain in their current position. Career development refers to the ongoing process by which individual works toward predetermined career objectives in light of existing planning and working contexts (Niati et al., 2021).

Individuals go through four distinct phases of their careers: (a) the development phase (before the age of 13), during which they lay the groundwork for their interests; (b) the exploration phase (between the ages of 14 and 24), which entails the formation of a more distinct sense of personal and professional identity through work; (c) the establishment phase (between the ages of 25 and 45), during which they put their newly formed career into motion; and (d) between the ages of 46 and 56, people enter the maintenance phase of their lives, profession and advance in rank by combining related duties, and (e) the decline stage (56 and up), slowing down and eventually retiring from one’s working life (Wong & Mohd Rasdi, 2019). Millennials, those between the ages of 24 and 42, are categorized as part of the established generation. Career development is the top priority for millennials anticipating rapid organizational advancement (Boyle, 2021).

### **Work-Life Balance**

Integration and equilibrium between private and professional spheres constitute what researchers call work-life balance (Feeney & Stritch, 2019). Work-life balance is frequently observed in employees across all industries, as workers demand job duties and well-being (Foanto et al., 2020). According to numerous studies, millennials are aware of their welfare and appreciate work-life balance (Mayangdarastri & Khusna, 2020). Working from home and other forms of flexible scheduling, together with the support of one’s company (such as coworker and supervisor) and spouse (family), can all contribute to a healthier work-life balance (Kirby et al., 2023).

Maintaining a productive workforce has made work-life balance an area of critical importance. People change careers to suit their personal and professional lives, and work-life balance is one of the essential factors in one’s career development (Shockley et al., 2016). While work satisfaction and commitment are advantageous for health and career progress (Rita et al., 2019). Workers’ average incomes are rising, resulting in higher living standards, which has fueled interest in work-life. This case leads us to hypothesize that:

H<sub>1</sub>: Work-life balance positively affects job satisfaction.

H<sub>2</sub>: Work-life balance positively affects affective commitment.

H<sub>3</sub>: Work-life balance positively affects career development.

### **Job Satisfaction**

Job satisfaction is an affective reaction of an employee to a value judgment resulting from the perception of having their essential job values met (Wen et al., 2018). It is widely acknowledged that high levels of job satisfaction are associated with higher performance and that job satisfaction is a critical component that influences attitudes and motivation (Pozas et al., 2023). The work environment, job content, supervisors, status, relationships with coworkers, awards, career paths, and organizational structure influence millennial employees’ job satisfaction (Muliawati & Frianto, 2020). A person’s level of affective commitment to their career may be affected by job satisfaction (Akinyemi et al., 2022). Overall, job satisfaction and intention to stay have also been correlated with opportunities for advancement along well-defined career pathways (Knezović &

Greda, 2021). Yarbrough et al.(2017) stated that job satisfaction and career development are the keys to retaining employees. The following is the hypothesis derived from the discussion as mentioned earlier:

H<sub>4</sub>: Job satisfaction positively affects affective commitment.

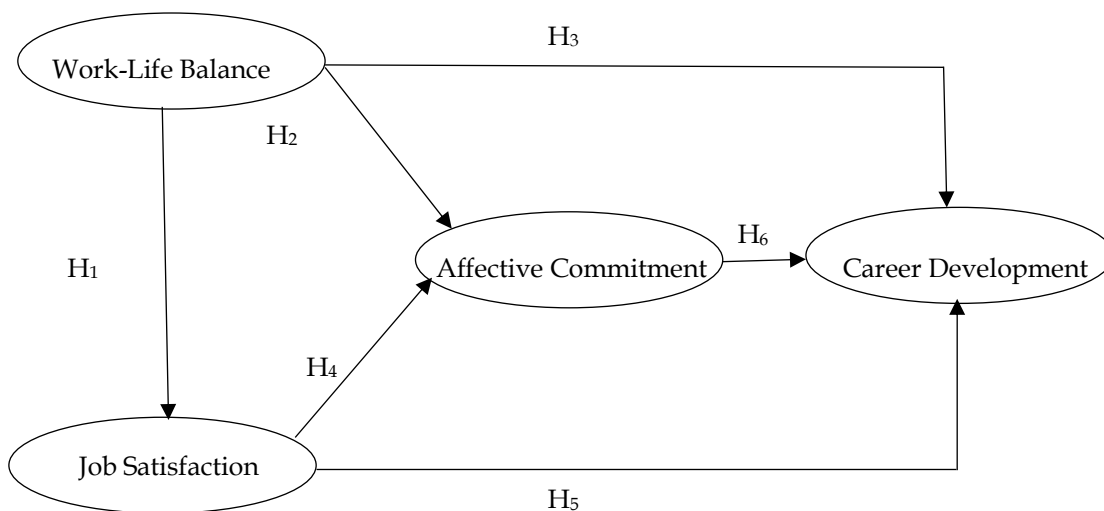
H<sub>5</sub>: Job satisfaction positively affects career development.

### Affective Commitment

Affective commitment demonstrates an emotional attachment to, identification with, and involvement in the organization (Meyer et al., 2012). Effectively devoted employees believe in the change and want to contribute to its success (Alqudah et al., 2022). Employees feel happy and enjoy their work, making their job a part of their life. According to studies undertaken over the past two decades, affective commitment is “an individual’s emotional attachment to an organization, as demonstrated by that individual’s identification with and participation in that organization” (Mercurio, 2015, p. 9). When employees believe their employer has their backs, their sense of belonging to the organization increases (Alqudah et al., 2022; Mihalache & Mihalache, 2022). When participation in the occupation is proven to be a satisfying experience, affective commitment allows for developing valued skills. Affective, committed individuals identify with their organization because its values and goals align with employees’ perceptions (Grund & Titz, 2022). A company’s commitment to its employees’ professional growth is reflected in its investment in a comprehensive career development program (Knezović & Greda, 2021). As for employees, the career development program can improve knowledge and quality of career development for individual self-development. Based on this evidence, we can hypothesize that:

H<sub>6</sub>: Affective commitment positively affects career development.

Based on the above explanations, Figure 1 presents the conceptual model of this study.



**Figure 1.** Theoretical model

### 3. RESEARCH METHOD

The study's primary goal is to investigate the impact of work-life balance, job satisfaction, and affective commitment on career development. This study also examines the role of affective commitment in mediating the relationship between work-life balance, job satisfaction, and career development. Millennials are the subjects of the survey questionnaires as a set of feedback in this study. Millennials with jobs in the Jabodetabek region (including Jakarta, Bogor, Depok, Tangerang, and Bekasi) filled out the surveys. Respondents were free to participate, and their responses would remain anonymous if they did. We sent the questionnaire through mail and WhatsApp from April to July 2022. We distributed questionnaires to 200 respondents, and 160 completed the questionnaires with a response rate of 80%. Because the structural equation model requires a minimum sample size of 100, the data processing operations can be completed with only 160 respondents (Hoyle & Gottfredson, 2015). We produced our sample using a simple random sampling technique (Bougie & Sekaran, 2019). Respondents were asked to rate all survey items on a 5-point Likert scale ranging from 1 (strongly disagree) to 5 (strongly agree).

We relied on metrics from prior research to guarantee instrument reliability. The model was constructed using four concepts: Work-Life Balance (WLB), Career Development (CD), Affective Commitment (AC), and Job Satisfaction (JS). We adopted the WLB instruments from (Feeney & Stritch, 2019). We polled respondents on how much they agreed with the following statements: (a) I work for a company that values and respects the importance of family, (b) employees at this organization can use flextime to attend to family matters, and (c) my immediate supervisor is understanding and accommodating when family obligations force me to miss work. Career development scales were adopted from Weng & McElroy (2012). Participants are prompted to respond to four statements: (a) my current job moves me closer to my professional goals, (b) my job supports the development of professional skills, (c) my job supports accelerated promotions, and (d) my job provides periodic compensation. AC scale refers to Alqudah et al. (2022) and Grund & Titz (2022). Participants are asked to respond to the statement, "I would love to cherish the rest of my career with this company," "I feel as if this company's problems are my own," and "I feel emotionally attached to this company." While the indicator to determine the job satisfaction (JS) level among millennials was adopted (Khamisa et al., 2015; Kong et al., 2015). Respondents were requested to rate their agreement about: (a) I enjoy working with my coworkers, (b) my supervisor facilitated the feedback session and allowed us to express our opinions, (c) I enjoy the tasks I perform at work, (d) I am content with my promotion opportunities, (e) I believe I am compensated fairly for the work I perform, and "(f) many of our policies and procedures make performing a good job challenging.

### 4. DATA ANALYSIS AND DISCUSSION

#### Characteristics of Respondents

Table 1 reveals that more than half of this study's respondents were female (63.13 percent). Previous studies have shown that compared to men; women display significantly higher levels of affective commitment (Grund & Titz, 2022). At the same time, Ernst and Young (2016) reveal that having a healthy work-life balance is crucial for both men and women (Barhate & Dirani, 2022).

Furthermore, our respondents comprised 75.63 percent were 20 – 24 years old, 14.38 percent were 25 – 29, 7.5 percent were 30 – 34, 1.87 percent were 35 – 39, and 0.63 percent were 40 – 44. This generation is in the age range of 22 to 44 years, including the productive working period. The vast majority had less than three years of professional experience (74.37 percent). Dissatisfaction with their jobs and a lack of opportunities for career development are two primary reasons why Millennials leave their employment within two years (Mayangdarastri & Khusna, 2020).

While 63.75 percent of the respondent were in senior high school, 25.62 percent had bachelor's degrees, 9.38 percent were Diploma Three (D3), and the rest held master's degrees. Globally, the time it takes for young people to move from school to the workforce is growing longer and more challenging (Shields et al., 2021). Young employees might use their current position as work experience and a stepping stone to advance their careers (Boyle, 2021). On the other side, an employee's affective commitment to the company may decrease as their level of education increases because of the employee's increased marketability to competing businesses (Grund & Titz, 2022). The majority of the business workplace where the respondents worked was in the manufacturing sector (26.87 percent), 20.62 percent were retail, and the rest were from other sectors.

**Table 1.** Categories of demographic data

Profile	Frequency	Percentage (%)	Profile	Frequency	Percentage (%)
Gender			Work experience		
Male	59	36.87	< 3 year	119	74.37
Female	101	63.13	3 – 5 year	23	14.38
			5 – 10 year	16	10.00
Age			> 10 year	2	1.25
20 – 24	121	75.62	Field of Business		
25 – 29	23	14.38	Manufacturing	43	28.67
30 – 34	12	7.50	Retail	33	20.62
35 – 39	3	1.87	Marketplace	14	8.75
40 – 44	1	0.63	Education	12	7.50
Educational Level			Health	9	5.62
Senior High School	102	63.75	Mining	2	1.25
Diploma	15	9.38	Financial institutions	6	3.75
Bachelor	41	25.62	Tourism	5	3.12
Master	2	1.25	Culinary	14	8.75
			Other	22	14.77

### Measurement Model

This study investigates the measurement model and examines the convergent validity demonstrating the correlation between items. Table 2 and Figure 2 indicate that factor loadings and AVE values are greater than 0.50, whereas CR and Alpha values are greater than 0.70. These values indicated a high degree of item correlation and convergent validity. This study investigates the measurement model and the discriminant validity, which reveals the correlation between variables. Heterotrait Monotrait (HTMT) ratios ranging from 0.545 to 0.824 are less than 0.85. Table 3 displays HTMT results indicating adequate discriminant validity.

**Table 2.** Convergent validity

Constructs	Items	Loadings	Alpha	CR	AVE
Career development	CD1	0.811	0.849	0.898	0.688
	CD2	0.854			
	CD3	0.836			
	CD4	0.817			
Affective Commitment	AC1	0.831	0.712	0.833	0.625
	AC2	0.800			
	AC3	0.738			
Job satisfaction	JS1	0.580	0.835	0.880	0.553
	JS2	0.780			
	JS3	0.838			
	JS4	0.779			
	JS5	0.755			
	JS6	0.702			
Work-Life Balance	WLB1	0.865	0.629	0.799	0.575
	WLB2	0.776			
	WLB3	0.612			

**Table 3.** Discriminant validity

	1	2	3	4
1. Affective Commitment				
2. Career development	0.552			
3. Job satisfaction	0.577	0.824		
4. Work-Life Balance	0.614	0.545	0.572	

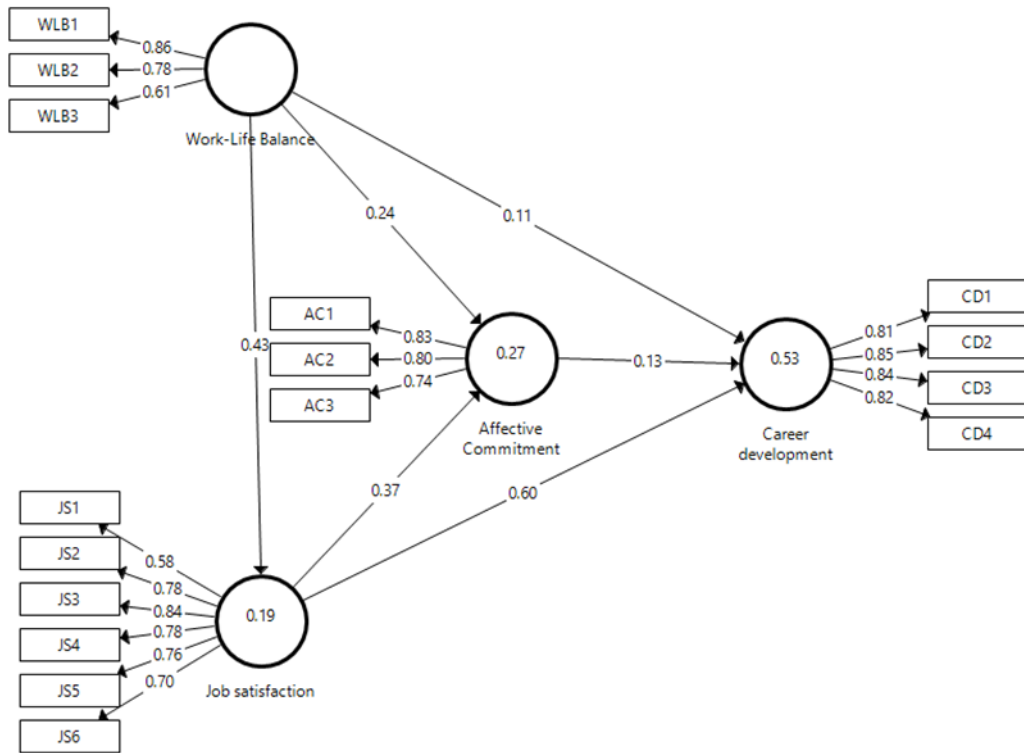


Figure 2. Path coefficient analysis

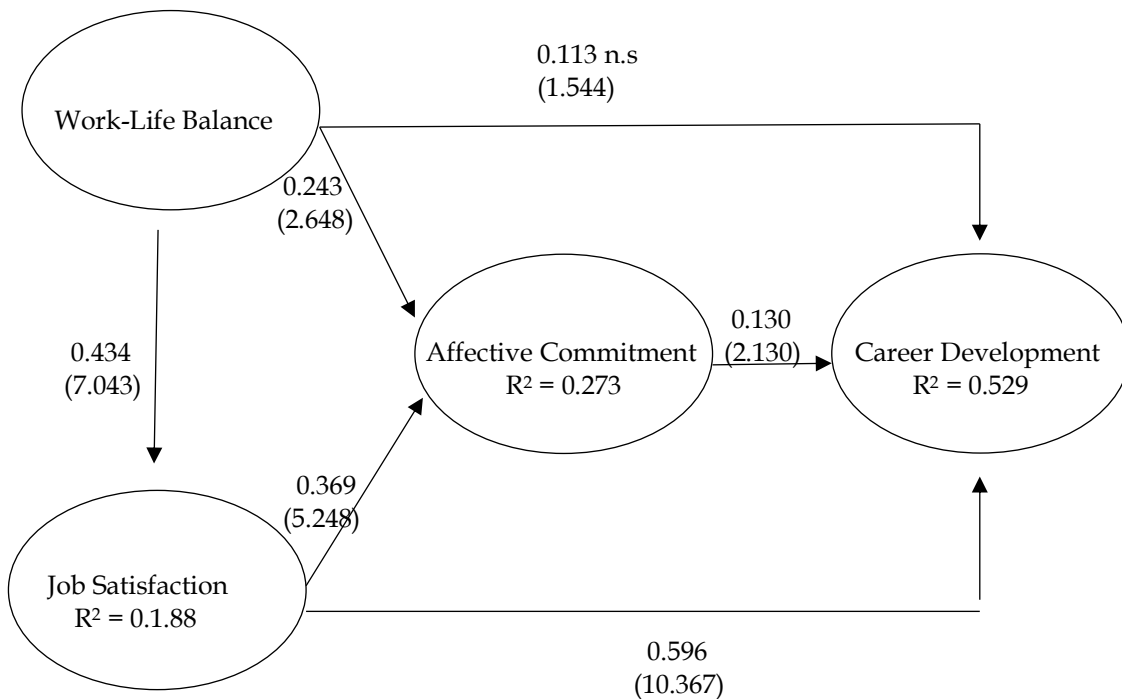


Figure 3. Results of the structural model

### Structural Equation Modelling

We used Smart-PLS 3.0 software to validate the structural model and test the hypotheses. The bootstrapping method was used with a re-sample of 5,000 people to calculate data based on hypothesized relationships. Both Table 4 and Figure 3 display the results of the structural model analysis. The findings revealed that work-life balance positively correlates with job satisfaction and affective commitment supporting H<sub>1</sub> and H<sub>2</sub>. However, the relationships between work-life balance and career development were insignificant, rejecting H<sub>3</sub>. While the relationships between job satisfaction were significant to affective commitment, and career development were significant. We find evidence to support hypotheses 4 and 5. Finally, the H<sub>6</sub> hypothesis predicted that affective commitment positively influences career development. These results confirm H<sub>6</sub> entirely.

**Table 4.** Direct effect

Path	Coefficient	T-Statistics	P-Values	Conclusion
H1: WLB → JS	0.434	7.043	0.000	Supported
H2: WLB → AC	0.243	2.648	0.008	Supported
H3: WLB → CD	0.113	1.544	0.123	Not supported
H4: JS → AC	0.369	5.248	0.000	Supported
H5: JS → CD	0.596	10.367	0.000	Supported
H6: AC → CD	0.130	2.130	0.033	Supported

**Table 5.** Indirect effect

Path	Coefficient	T-Statistics	P-Values	Conclusion
WLB → JS → AC	0.160	4.071	0.000	Supported
JS → AC → CD	0.048	1.865	0.062	Not supported
WLB → JS → AC → CD	0.021	1.771	0.077	Not supported
WLB → AC → CD	0.032	1.746	0.081	Not supported
WLB → JS → CD	0.258	5.647	0.000	Supported

### Discussion

Our first hypothesis predicted that the variables representing WLB would have a positive relationship with JS (Hypothesis 1;  $b = 0.434$ ,  $\rho < 0.05$ ). When WLB is greater, JS also grows in proportion. The data analysis in this study supports the hypothesis that there is a significant and positive relationship between these two variables (Hasan & Teng, 2017; Wahyuni & Rahmasari, 2022; Wen et al., 2018). Positive emotions, physical comfort, and enjoyment of one's work time are all outward signs of job satisfaction.

The second hypothesis predicted that perceptions of WLB would have a positive relationship with affective commitment ( $b = 0.243$ ,  $\rho < 0.05$ ). In line with our expectations regarding affective commitment, recent research has also shown that WLB increases workers' affective commitment to their jobs (Kim, 2014; Tayfun & Çatir, 2014). Work-life balance (WLB) correlates with low employee stress, a positive work experience, and affective commitment (Wahyuni & Rahmasari, 2022).

Hypothesis 3, which predicted a significant positive relationship between WLB and CD, receives no support ( $b = 0.113$ ,  $\rho > 0.05$ ). This finding may point to problems with twenties employees not fully developing their careers if thinking about work-life balance. Instead of following the conventional career path, members of Generation Y prioritize work-life balance and make self-directed career decisions that align with their values and goals (Jha et al., 2019). The previous study shows that work-life balance was not significantly impact performance (Fadhilillah & Desiana, 2022). Meanwhile, organizational support for career development drives employee performance (Saleem & Amin, 2013). When millennials are unhappy with their workplace, they are more likely to consider leaving their current job and looking for another that better fits their needs (Price & Reichert, 2017). The findings of Davies et al. (2016) revealed that new graduates are unprepared to work in private practice, necessitating adjustments to the delivery of peer support, mentoring, and professional development. Table 1 shows that most respondents were from Senior High School, and 75.62 percent were between 20-24 years old and identified as new graduates.

These findings supported hypothesis H<sub>4</sub> (job satisfaction positively affects affective commitment). The results, in line with the existing literature, demonstrated a positive correlation between job satisfaction and affective commitment (Hussien et al., 2021; Kim & Park, 2020; Koo et al., 2020). Similarly, a study of high-end hotel employees in Ghana revealed a correlation between JS and AC (Ampofo et al., 2022). Organizational

psychologists are concerned with employee job satisfaction because it is an attitude variable that describes how an individual feels about their job (Maan et al., 2020; Usadolo et al., 2022). Individuals have used affective commitment to repay an organization when they perceive it is providing them with the necessary support (Usadolo et al., 2022).

The study results provided empirical evidence for the hypothesis (hypothesis 5:  $b = 0.596, \rho < 0.05$ ), as Table 4 shows that JS is positively related to CD. Job satisfaction was positively associated with how much the organization helped with career development and advancement (Coetzee & Bester, 2021). Career development requires employees to have a long-term perspective and to look beyond current employee satisfaction and performance (Napitupulu et al., 2017).

The current research results provide empirical proof that the H<sub>6</sub> hypothesis is valid. (affective commitment positively affects career development). This study's findings expanded upon previous research, demonstrating that work-life balance mediates the relationship between HR practices and affective organizational commitment (Luturlean et al., 2021). Affective commitment led individuals to believe that the organization was instrumental in helping them reach their professional and personal development goals (Coetzee & Bester, 2021). High-quality working relationships fostered by career development indicate a positive organizational commitment stance (Napitupulu et al., 2017). Employee desires to remain in the organization are influenced by corporate policies and opportunities such as career management.

There are some important implications of the findings for human resource management. A clear and targeted career path is very important for the continuity of millennial career development (for instance, performance and professional paths are accessible via digital-based media). This study suggests technology-based ways to engage millennials. In line, Duan et al. (2023) suggest using digital tools to interact and share information, and they can attain a better work-life balance and higher productivity levels. This opinion is reinforced by Grund & Titz (2022), which indicates that working from home promotes affective commitment. In detail, practical HR must prepare millennial workers to work technology-based. Therefore, additional research on career development and WLB among millennials is required to boost millennial engagement.

## 5. CONCLUSION, IMPLICATION, SUGGESTION, AND LIMITATIONS

This study explores the influence of work-life balance, job satisfaction, and affective commitment on the career development of millennials. More than 75% of the research participants are millennials just starting their careers, so this study adds to the wealth of career construction theory. Millennials may explore the early stages of their work as part of the transition between career stages, personal experiences, or social breakdown.

The findings have important implications for organizational operations, particularly human resource management. The millennial generation expects their superiors to assist them in achieving their objectives in exchange for their dedication and emotional investment in the firm. Technology is one of the numerous ways the millennial generation stands out. However, millennials who seek results quickly must value the process as part of their career development. Our findings also show that making millennial employees more committed to the organization and enjoying their work can be essential to career development and a strategic step for the company. From the organization's standpoint, if implemented well, a millennial employee's affective commitment can be fostered and maintained through its career development program. When hiring millennial staff, the first stage is identifying applicants who are a good fit for the firm. Developing horizontal and vertical communication must continue when new staff is hired.

Finally, there are some limitations to this study. Although we empirically examined WLB's perspective on CD, we did not assess the role of technology and social media millennials use to increase WLB as a precursor to CD. The following study needs to examine WLB, which impacts CD as part of the company's HR policy. Second, this study focuses on millennial employees in five areas of Jabodetabek limits the generalizability of these results. With a wider variety of respondents in terms of their generations and residences, it would be worthwhile to pursue additional research to improve the generalizability of the findings. Most variables were measured through self-reports, necessitating consideration of common method bias. Specifically, if impostor feelings imply a tendency to devalue oneself, some results may be partially attributable to underreporting effects.

## REFERENCES

- Adkins, A. (2016). Millennials: The job-hopping generation. <https://www.gallup.com/workplace/236474/millennials-job-hopping-generation.aspx>
- Akinyemi, B., George, B., & Ogundele, A. (2022). Relationship between job satisfaction, pay, affective commitment and turnover intention among registered nurses in Nigeria. *Global Journal of Health Science*, 14(2), 37-51. <https://doi.org/10.5539/gjhs.v14n2p37>
- Al Mansoori, S., Salloum, S. A., & Shaalan, K. (2021). The impact of artificial intelligence and information technologies on the efficiency of knowledge management at modern organizations: a systematic review. *Recent Advances in Intelligent Systems and Smart Applications*, 163-182. [https://doi.org/10.1007/978-3-030-47411-9\\_9](https://doi.org/10.1007/978-3-030-47411-9_9)
- Alqudah, I. H. A., Carballo-Penela, A., & Ruzo-Sanmartín, E. (2022). High-performance human resource management practices and readiness for change: An integrative model including affective commitment, employees' performance, and the moderating role of hierarchy culture. *European Research on Management and Business Economics*, 28(1), 100177. <https://doi.org/10.1016/j.iedeen.2021.100177>
- Ampofo, E. T., Ampofo, C., Nkrumah, S., & Ameza-Xemalordzo, E. B. (2022). The effect of supervisor's abuse on hotel employees' job satisfaction, affective organizational commitment and work engagement. *Journal of Quality Assurance in Hospitality & Tourism*, 1-24. <https://doi.org/10.1080/1528008X.2022.2052395>
- Barhate, B., & Dirani, K. M. (2022). Career aspirations of generation Z: a systematic literature review. *European Journal of Training and Development*, 46(1-2), 139-157. <https://doi.org/10.1108/EJTD-07-2020-0124>
- Bougie, R., & Sekaran, U. (2019). *Research methods for business: A skill building approach*. John Wiley & Sons.
- Boyle, K. A. (2021). Millennial career-identities: Reevaluating social identification and intergenerational relations. *Journal of Intergenerational Relationships*, 1-21. <https://doi.org/10.1080/15350770.2021.1945989>
- Chang, S., Morahan, P. S., Magrane, D., Helitzer, D., Lee, H. Y., Newbill, S., Peng, H.-L., Guindani, M., & Cardinali, G. (2016). Retaining faculty in academic medicine: the impact of career development programs for women. *Journal of Women's Health*, 25(7), 687-696. <https://doi.org/10.1089/jwh.2015.5608>
- Coetzee, M., & Bester, M. S. (2021). Exploring the reciprocal correspondence among workplace relationships, career goal instrumentality, career satisfaction, and organisational commitment. *South African Journal of Psychology*, 51(1), 81-94. <https://doi.org/10.1177/0081246320948366>
- Davies, J. M., Edgar, S., & Debenham, J. (2016). A qualitative exploration of the factors influencing the job satisfaction and career development of physiotherapists in private practice. *Manual Therapy*, 25, 56-61. <https://doi.org/10.1016/j.math.2016.06.001>
- Duan, S. X., Deng, H., & Wibowo, S. (2023). Exploring the impact of digital work on work--life balance and job performance: a technology affordance perspective. *Information Technology & People*, ahead-of-print. <https://doi.org/10.1108/ITP-01-2021-0013>
- Eger, L., Komárková, L., Egerová, D., & Mičík, M. (2021). The effect of COVID-19 on consumer shopping behaviour: Generational cohort perspective. *Journal of Retailing and Consumer Services*, 61, 102542. <https://doi.org/10.1016/j.jretconser.2021.102542>
- Ernst & Young. (2016). *Next-gen workforce: secret weapon or biggest challenge?* Ernst & Young LLP Report, 1-12.
- Fadhlillah, R., & Desiana, P. M. (2022). The mediating roles of work-life balance, affective commitment, and intrinsic motivation in achieving MSEs performance. *International Journal of Trade and Global Markets*, 15(3), 332-347. <https://doi.org/10.1504/IJTG.2022.124057>
- Fazal, S., Masood, S., & Nazir, F. (2022). Individual and organizational strategies for promoting work - life balance for sustainable workforce : A systematic literature review from Pakistan. *Sustainability*, 14(18), 11552. <https://doi.org/10.3390/su141811552>
- Feeney, M. K., & Stritch, J. M. (2019). Family-friendly policies, gender, and work-life balance in the public sector. *Review of Public Personnel Administration*, 39(3), 422-448. <https://doi.org/10.1177/0734371X17733789>
- Foanto, E. F., Tunarso, E. B., & Kartika, E. W. (2020). Peran work life balance terhadap kinerja karyawan melalui komitmen afektif sebagai variabel mediasi pada karyawan hotel berbintang tiga di Makassar, Sulawesi Selatan. *Jurnal Manajemen Perhotelan*, 6(1), 37-45. <https://doi.org/10.9744/jmp.6.1.37-45>
- Grund, C., & Titz, K. (2022). Affective commitment through further training: the roles of firm provision



and employee participation. *Review of Managerial Science*, 16(4), 1195-1226. <https://doi.org/10.1007/s11846-021-00460-1>

Hasan, N., & Teng, L. S. (2017). Work-life balance and job satisfaction among working adults in Malaysia: The role of gender and race as moderators. *Journal of Economics, Business and Management*, 5(1), 18-24. <https://doi.org/10.18178/joebm.2017.5.1.478>

Holtschlag, C., Masuda, A. D., Reiche, B. S., & Morales, C. (2020). Why do millennials stay in their jobs? The roles of protean career orientation, goal progress and organizational career management. *Journal of Vocational Behavior*, 118, 103366. <https://doi.org/10.1016/j.jvb.2019.103366>

Hoyle, R. H., & Gottfredson, N. C. (2015). Sample size considerations in prevention research applications of multilevel modeling and structural equation modeling. *Prevention Science*, 16(7), 987-996. <https://doi.org/10.1007/s11121-014-0489-8>

Hussien, F. M., Ibrahim, Y., & Naser, H. A. (2021). The impact of human resource management practices on job satisfaction and affective commitment in Hurghada resort hotels. *Journal of Hospitality and Tourism Insights*. <https://doi.org/10.1108/JHTI-02-2021-0045>

Jha, N., Sareen, P., & Potnuru, R. K. G. (2019). Employee engagement for millennials: considering technology as an enabler. *Development and Learning in Organizations*, 33(1), 9-11. <https://doi.org/10.1108/DLO-05-2018-0057>

Khamisa, N., Oldenburg, B., Peltzer, K., & Ilic, D. (2015). Work related stress, burnout, job satisfaction and general health of nurses. *International Journal of Environmental Research and Public Health*, 12(1), 652-666. <https://doi.org/10.3390/ijerph120100652>

Kim, E. J., & Park, S. (2020). Top management support for talent and culture on career changers' organizational commitment and job satisfaction. *Journal of Career Development*, 47(6), 686-700. <https://doi.org/10.1177/0894845318820967>

Kim, H. K. (2014). Work-Life Balance and employees' performance: The mediating role of affective commitment. *An International Journal*, 6(1), 37-51.

Kirby, L. A. J., Zolkoski, S. M., Brien, K. O., Mathew, J., Bridget, R., & Sass, S. M. (2023). Examining staff and faculty work - life balance and well-being using the dual continua model of mental health during Covid-19. 3(1), 34-48. <https://doi.org/10.47602/johah.v3i1.31>

Knezović, E., & Greda, N. (2021). Career development and affective commitment: a comparative study of family and nonfamily businesses. *Journal of Family Business Management*, 11(4), 462-478. <https://doi.org/10.1108/JFBM-04-2020-0033>

Koo, B., Yu, J., Chua, B. L., Lee, S., & Han, H. (2020). Relationships among emotional and material rewards, job satisfaction, burnout, affective commitment, job performance, and turnover intention in the hotel industry. *Journal of Quality Assurance in Hospitality & Tourism*, 21(4), 371-401. <https://doi.org/10.1080/1528008X.2019.1663572>

Kong, H., Wang, S., & Fu, X. (2015). Meeting career expectation: Can it enhance job satisfaction of generation Y? *International Journal of Contemporary Hospitality Management*, 27(1), 147-168. <https://doi.org/10.1108/IJCHM-08-2013-0353>

Leung, S. A. (2022). New Frontiers in Computer-Assisted Career Guidance Systems (CACGS): Implications From Career Construction Theory. *Frontiers in Psychology*, 13(February), 1-21. <https://doi.org/10.3389/fpsyg.2022.786232>

Luturlean, B. S., Prasetyo, A. P., Anggadwita, G., & Hanura, F. (2021). Does work-life balance mediate the relationship between HR practices and affective organisational commitment? Perspective of a telecommunication industry in Indonesia. *International Journal of Learning and Intellectual Capital*, 18(2), 154-172. <https://doi.org/10.1504/IJLIC.2021.114603>

Lyons, S. T., Schweitzer, L., & Ng, E. S. W. (2015). How have careers changed? An investigation of changing career patterns across four generations. *Journal of Managerial Psychology*, 30(1), 8-21. <https://doi.org/10.1108/JMP-07-2014-0210>

Maan, A. T., Abid, G., Butt, T. H., Ashfaq, F., & Ahmed, S. (2020). Perceived organizational support and job satisfaction: a moderated mediation model of proactive personality and psychological empowerment. *Future Business Journal*, 6, 1-12. <https://doi.org/10.1186/s43093-020-00027-8>

Mack, L. S. (2022). Effect of Work-Life Balance on Organizational Climate in Millennial Manufacturing Workers. Capella University.

Mayangdarastri, S., & Khusna, K. (2020). Retaining millennials engagement and well-being through career path and development. *Journal of Leadership in Organizations*, 2(1), 42-48. <https://doi.org/10.22146/jlo.46767>

Mercurio, Z. A. (2015). Affective commitment as a core essence of organizational commitment: an integrative literature review. *Human Resource Development Review*, 14(4), 389-414. <https://doi.org/10.1177/1534484315603612>

Meyer, J. P., Stanley, D. J., Jackson, T. A., McInnis, K. J., Maltin, E. R., & Sheppard, L. (2012). Affective, normative, and continuance commitment levels across cultures: A meta-analysis. *Journal of Vocational Behavior*, 80(2), 225-245. <https://doi.org/10.1016/j.jvb.2011.09.005>

Mihalache, M., & Mihalache, O. R. (2022). How workplace support for the COVID-19 pandemic and personality traits affect changes in employees' affective commitment to the organization and job-related well-being. *Human Resource Management*, 61(3), 295-314. <https://doi.org/10.1002/hrm.22082>

Montani, F., Battistelli, A., & Odoardi, C. (2017). Proactive Goal generation and innovative work behavior: the moderating role of affective commitment, production ownership and leader support for innovation. *Journal of Creative Behavior*, 51(2), 107-127. <https://doi.org/10.1002/jocb.89>

Muliawati, T., & Frianto, A. (2020). Peran work-life balance dan kepuasan kerja terhadap kinerja karyawan milenial: Studi literatur. *Jurnal Ilmu Manajemen*, 20(20), 606-620.

Napitupulu, S., Haryono, T., Laksmi Riani, A., Sawitri, H. S. R., & Harsono, M. (2017). The impact of career development on employee performance: an empirical study of the public sector in Indonesia. *International Review of Public Administration*, 22(3), 276-299. <https://doi.org/10.1080/12294659.2017.1368003>

Ng, E. S. W., & Gossett, C. W. (2013). Career choice in Canadian public service: An exploration of fit with the millennial generation. *Public Personnel Management*, 42(3), 337-358. <https://doi.org/10.1177/0091026013495767>

Niati, D. R., Siregar, Z. M. E., & Prayoga, Y. (2021). The effect of training on work performance and career development: the role of motivation as intervening variable. *Budapest international research and critics institute (birci-journal): humanities and social sciences*, 4(2), 2385-2393. <https://doi.org/10.33258/birci.v4i2.1940>

Pozas, M., Letzel-Alt, V., & Schwab, S. (2023). The effects of differentiated instruction on teachers' stress and job satisfaction. *Teaching and Teacher Education*, 122, 103962. <https://doi.org/10.1016/j.tate.2022.103962>

Price, S., & Reichert, C. (2017). The importance of continuing professional development to career satisfaction and patient care: Meeting the needs of novice to mid-to late-career nurses throughout their career span. *Administrative Sciences*, 7(2), 41-52. <https://doi.org/10.3390/admsci7020017>

Purwatiningsih, E., & Sawitri, H. S. R. (2021). Analysis on the effect of work-life balance and career development on turnover intention for millennial generations. *Management and Entrepreneurship: Trends of Development*, 1(15), 80-88. <https://doi.org/10.26661/2522-1566/2021-1/15-05>

Rita, F., Simon, E., & Darren, V. L. (2019). Overtime and quality of working life in academics and non-academics: The role of perceived work-life balance. *International Journal of Stress Management*, 26(2), 173-183. <https://doi.org/10.1037/str0000067>

Ryan, K. M., & King, E. B. (2014). Younger workers' metastereotypes, workplace mood, attitudes, and behaviors. *Journal of Managerial Psychology*, 30(1), 54-70. <https://doi.org/10.1108/JMP-07-2014-0215>

Saleem, S., & Amin, S. (2013). The impact of organizational support for career development and supervisory support on employee performance: An empirical study from pakistani academic sector. *European Journal of Business and Management*, 5(5), 194-207.

Schullery, N. M. (2013). Workplace engagement and generational differences in values. *Business Communication Quarterly*, 76(2), 252-265. <https://doi.org/10.1177/1080569913476543>

Shields, M., Dimov, S., Kavanagh, A., Milner, A., Spittal, M. J., & King, T. L. (2021). How do employment conditions and psychosocial workplace exposures impact the mental health of young workers? A systematic review. *Social Psychiatry and Psychiatric Epidemiology*, 56(7), 1147-1160. <https://doi.org/10.1007/s00127-021-02077-x>

Shockley, K. M., Ureksoy, H., Rodopman, O. B., Poteat, L. F., & Dullaghan, T. R. (2016). Development of a new scale to measure subjective career success: A mixed-methods study. *Journal of Organizational Behavior*, 37, 128-153. <https://doi.org/10.1002/job.2046>

Soedira, V. N., Husniati, R., & Rialmi, Z. (2021). Pengaruh pengembangan karir dan lingkungan kerja terhadap turnover intention karyawan milenial di RW 10, Kel. Depok, Kota Depok. *Jurnal Ilmiah Manajemen Kesatuan*, 9(2), 247-256. <https://doi.org/10.37641/jimkes.v9i2.457>

Tayfun, A., & Çatir, Ö. G. O. (2014). An empirical study into the relationship between work/life balance and organizational commitment. *Industrial Relations and Human Resources Journal*, 16(1), 20-37. <https://doi.org/10.4026/1303-2860.2014.0245>.

TeamStage. (2022). Millennials in the Workplace Statistics: Generational Disparities in 2022. <https://teamstage.io/millennials-in-the-workplace-statistics/>

Usadolo, Q. E., Brunetto, Y., Nelson, S., & Gillett, P. (2022). Connecting the dots: perceived organization support, motive fulfilment, job satisfaction, and affective commitment among volunteers. *SAGE Open*, 12(3), 21582440221116110. <https://doi.org/10.1177/21582440221116111>

van Tuijl, C., & van der Molen, J. H. W. (2016). Study choice and career development in STEM fields: an overview and integration of the research. *International Journal of Technology and Design Education*, 26(2), 159-183. <https://doi.org/10.1007/s10798-015-9308-1>

Wahyuni, S., & Rahmasari, D. (2022). Investigating the antecedents and outcomes of work-life balance: evidence from garment industries in Indonesia. *Diponegoro International Journal of Business*, 5(1), 1-11. <https://doi.org/10.14710/dijb.5.1.2022.1-11>

Wen, T. Y., Muthuveloo, R., Ping, T. A., & Franco, A. (2018). Wen, C. T. Y., Muthuveloo, R., & Ping, T. A. (2018). Factors influencing job satisfaction: A perspective of millennials in Malaysia multinational (MNC) companies. *Global Business and Management Research*, 10(1), 48-66.

Weng, Q., & McElroy, J. C. (2012). Organizational career growth, affective occupational commitment and turnover intentions. *Journal of Vocational Behavior*, 80(2), 256-265. <https://doi.org/10.1016/j.jvb.2012.01.014>

Wong, S. C., & Mohd Rasdi, R. (2019). Influences of career establishment strategies on generation Y's self-directedness career: Can gender make a difference? *European Journal of Training and Development*, 43(5-6), 435-455. <https://doi.org/10.1108/EJTD-08-2018-0082>

Yarbrough, S., Martin, P., Alfred, D., & McNeill, C. (2017). Professional values, job satisfaction, career development, and intent to stay. *Nursing Ethics*, 24(6), 675-685. <https://doi.org/10.1177/0969733015623098>

Zhu, L., & Cheung, S. O. (2017). Harvesting competitiveness through building organizational innovation capacity. *Journal of Management in Engineering*, 33(5), 1-15. [https://doi.org/10.1061/\(ASCE\)ME.1943-5479.0000534](https://doi.org/10.1061/(ASCE)ME.1943-5479.0000534)

#### APPENDIX A: RESEARCH INSTRUMENT

---

##### Work-Life Balance

1. I work for a company that values and respects the importance of family
2. Employees at this organization can use flextime to attend to family matters
3. My immediate supervisor is understanding and accommodating when family obligations force me to miss work.

---

##### Career Development

1. My current job moves me closer to my professional goals
2. My job supports the development of professional skills
3. My job supports accelerated promotions
4. My job provides periodic compensation

---

##### Affective Commitment

1. I would love to cherish the rest of my career with this company
2. I feel as if this company's problems are my own
3. I feel emotionally attached to this company

---

##### Job Satisfaction

1. I enjoy working with my coworkers
  2. My supervisor facilitated the feedback session and allowed us to express our opinions
  3. I enjoy the tasks I perform at work
  4. I am content with my promotion opportunities
  5. I believe I am compensated fairly for the work I perform
  6. Many of our policies and procedures make performing a good job challenging
-